



PATTERSON SERVICES, INC.

Tubing

1" thru 4 1/2"

Drill Pipe

2 3/8" thru 5 1/2"

Heavy Weight

Drill Pipe

2 7/8" thru

6 5/8"

Drill Collars

2 7/8" thru 10"

Blow-Out

Preventers

Annular Type

2 9/16" 5M thru

29 1/2" 500 PSI

Hydraulic Ram

Type

Single and Double

3 1/16" 10M thru

21 3/4" 5M

Valves Manual &

Hydraulic

12" Ball Valves

2 1/16" 5M thru

4 1/16" 15M

BOP Information Sheet*

Hydril GK Annular BOP 13-5/8" 5K

1	BOP Serial #	P-
2	Type	GK 13-5/8" 5K Annular BOP
3	Manufacturer	Hydril
4	Height	54.125" / 1.375 m
5	Weight (Approximate -- varies with connectors)	13,800 lbs. / 6259.575 kilograms
6	Clearance Diameter	52.25" / 1.327 m
7	Hydraulic operating pressure	≤ 1,500 PSI / 103.422 bar
8	Max hydraulic pressure	1,500 PSI / 103.422 bar
9	Open port and Close port size	1" NPT
10	Open volume	14.16 U.S. Gallons / 53.601 Liters
11	Close volume	17.98 U.S. Gallons / 68.062 Liters
12	13-5/8" 5K Studded Top Bolts Diameter x Length	1- 5/8" x 8-3/8" / 41.275 mm x 212.725 mm
13	Quantity	16 per studded flange
14	Bolt Torque	2,146 ft-lbs / 2,909.547 N'm
15	13-5/8" 5K Flanged Bottom Bolts Diameter x Length	1-5/8" x 12-3/4" / 41.275 mm x 323.850 mm
16	Quantity	16 per flange
17	Bolt Torque	2,146 ft-lbs / 2,909.547 N'm
18	Flange Gasket (Open-faced Bottom Flange)	BX 160
19	Studded Flange Gasket	BX 160
20	Lifting Capacity B.O.P. Lugs	

* Drawings and information contained herein are for general purposes and are for reference only. Dimensions may vary according to Manufacturer, Year Manufactured, Model or Type.

Technical information contained herein is furnished without charge or obligation and is given and accepted at recipient's sole risk. Because conditions of use may vary and are beyond our control, Patterson Services, Inc. makes no representation about, and is not responsible or liable for the accuracy or reliability of the data, described herein. Nothing contained in this document shall be considered a recommendation for any use that may infringe patent rights, or an endorsement of any particular material, equipment, service, or other item. The properties listed in this document are not specification. They are provided as information only and in no way modify, amend, enlarge or create any specification or warranty.





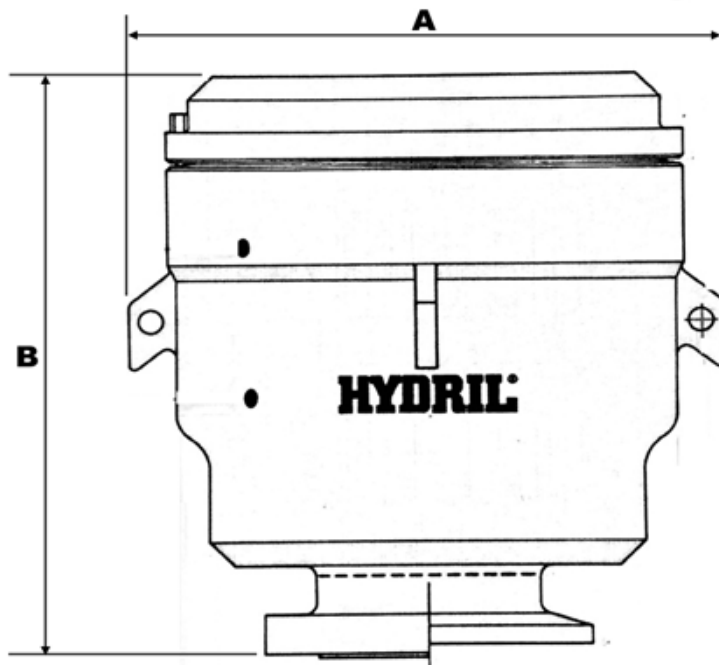
PATTERSON SERVICES, INC.

SPECIFICATIONS

DIMENSIONAL DATA			Hydril GK Annular BOP 13-5/8" 5K
Size	Pressure rating (PSI)	Vertical Bore (inches)	Single Approx.* Weight (lbs)
13.625*	5,000	13.625*	13,800.00

*Approximate: Varies with connectors.

The capital letters in the following designations refer to the BOP dimensional views and dimensional charts shown.



English Units (inches)		English Units (lbs)
A (Clearance Diameter)	B (height)	
52.250	54.125	13,800.000
Metric Units (m)		Metric Units (kgs)
A (Clearance Diameter)	B (height)	
1.327	1.375	6,259.575

Tubing

1" thru 4 1/2"

Drill Pipe

2 3/8" thru 5 1/2"

Heavy Weight Drill Pipe

2 7/8" thru 6 5/8"

Drill Collars

2 7/8" thru 10"

Blow-Out Preventers

Annular Type

2 9/16" 5M thru 29 1/2" 500 PSI

Hydraulic Ram Type

Single and Double

3 1/16" 10M thru 21 3/4" 5M

Valves Manual & Hydraulic

12" Ball Valves

2 1/16" 5M thru 4 1/16" 15M