



# PATTERSON SERVICES, INC.

## BOP Information Sheet\*

## CAMERON U BOP Single 13 5/8" 5K

**Tubing**  
1" thru 4 1/2"

**Drill Pipe**  
2 3/8" thru 5 1/2"

**Heavy Weight Drill Pipe**  
2 7/8" thru 6 5/8"

**Drill Collars**  
2 7/8" thru 10"

**Blow-Out Preventers**  
Annular Type  
2 9/16" 5M thru 29 1/2" 500 PSI

**Hydraulic Ram Type**  
Single and Double  
3 1/16" 10M thru 21 3/4" 5M

**Valves Manual & Hydraulic**  
12" Ball Valves  
2 1/16" 5M thru 4 1/16" 15M

1	BOP Serial #	P-
2	Type	Type "U" Single Ram BOP 13-5/8" 5K
3	Manufacturer	Cameron
4	Height	33.812" / 858.825 mm (.859 m)
5	Weight (Standard)	7,700 lbs. / 3492.661 kg
6	Weight (with LBT) (LBT ≤ 1,050 lbs each, 2,100 lbs per pair)	9,800 lbs. / 4445.205 kg
7	Length (bonnets closed)	112.125" / 2.848 m
8	Length (bonnets opened)	171.500" / 4.356 m
9	Length (bonnets closed, LBT installed) (LBT ≤ 19.750" each, 39.5" per pair)	151.625" / 3.851 m
10	Length (bonnets opened, LBT installed) (LBT ≤ 19.750" each, 39.5" per pair)	211.000" / 5.359 m
11	Bonnet bolt torque (API lube)	6,000 ft.lbs. / 8,135 N'm
12	Bonnet bolt torque (Moly Lube)	3,300 ft.lbs. / 4,474 N'm
13	Bonnet bolt (impact socket size)	2-3/4" / 69.850 mm
14	Bonnet bolt (striking wrench size)	1-3/4" / 44.450 mm
15	Hydraulic operating pressure	1,500 PSI / 103.422 bar
16	Max hydraulic pressure	3,000 PSI / 206.844 bar
17	Open and close porting size	1" NPT
18	Open volume/Standard Bonnet per cavity	5.5 gal. / 20.820 liters
19	Close volume/Standard Bonnet per Cavity	5.8 gal. / 21.955 liters
20	Open volume (with LBT installed)	10.5 gal. / 39.747 liters
21	Close volume (with LBT installed)	17.5 gal. / 66.245 liters
22	Ram Change rod open faced wrench size	2-1/4" / 57.150 mm
23	(2) 13-5/8" 5K Flange Bolt Diameter x Length	1-5/8" x 12-3/4" / 41.275 mm x 323.850 mm
24	Quantity	16 per flange
25	Bolt Torque	2,146 ft.lbs. / 2,909.547 N'm
26	(2) 4-1/16" 5K Flange Outlet Bolt Diameter x Length	1-1/4" x 8-1/2" / 31.750 mm x 215.900 mm
27	Quantity	8 per flange
28	Bolt Torque	953 ft.lbs. / 1292 N'm
29	Flange Gasket	BX-160
30	Outlet Gasket	R/RX-39

\* Drawings and information contained herein are for general purposes and are for reference only. Dimensions may vary according to Manufacturer, Year Manufactured, Model or Type.

Technical information contained herein is furnished without charge or obligation and is given and accepted at recipient's sole risk. Because conditions of use may vary and are beyond our control, Patterson Services, Inc. makes no representation about, and is not responsible or liable for the accuracy or reliability of the data, described herein. Nothing contained in this document shall be considered a recommendation for any use that may infringe patent rights, or an endorsement of any particular material, equipment, service, or other item. The properties listed in this document are not specification. They are provided as information only and in no way modify, amend, enlarge or create any specification or warranty.





# PATTERSON SERVICES, INC.

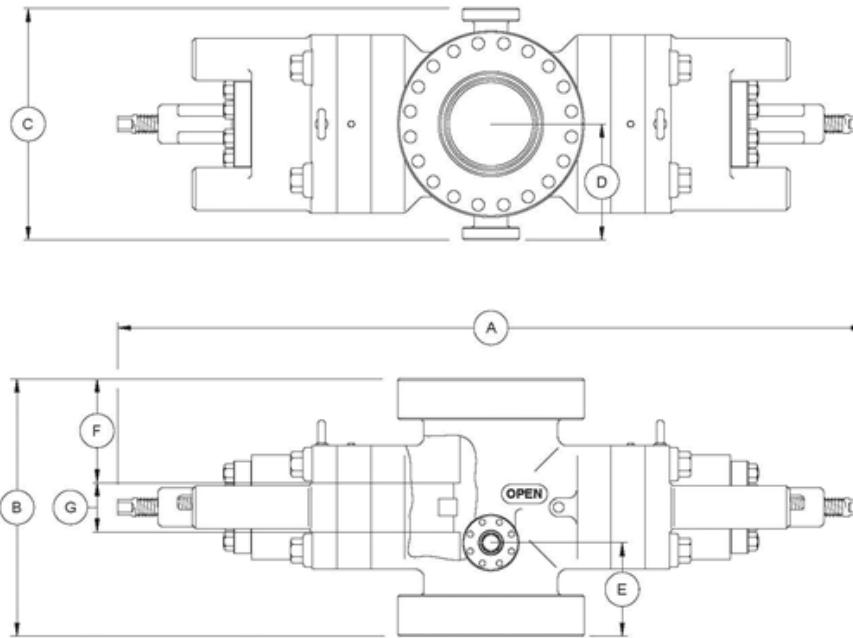
- Tubing  
1" thru 4 1/2"
- Drill Pipe  
2 3/8" thru 5 1/2"
- Heavy Weight Drill Pipe  
2 7/8" thru 6 5/8"
- Drill Collars  
2 7/8" thru 10"
- Blow-Out Preventers  
Annular Type  
2 9/16" 5M thru 29 1/2" 500 PSI
- Hydraulic Ram Type  
Single and Double  
3 1/16" 10M thru 21 3/4" 5M
- Valves Manual & Hydraulic  
12" Ball Valves  
2 1/16" 5M thru 4 1/16" 15M

## SPECIFICATIONS

### DIMENSIONAL DATA

CAMERON U BOP Single 13 5/8" 5K

Size (inches)	Pressure rating (PSI)	Vertical Bore (inches)	Single Approx. Weight (lbs)
13.625"	5,000	13.625"	7,700.00



The capital letters in the following designations refer to the U BOP dimensional views and dimensional charts shown.

- A-1 Length - bonnets closed, locking screws locked
- A-2 Length - bonnets opened, locking screws unlocked .
- A-3 Length - bonnets closed, with wedgelocks
- A-4 Length - bonnets opened, with wedgelocks
- B-1 Height - flanged
- B-2 Height - clamp hubs
- C Width - no side outlets
- D Centerline of preventer to outlet flange or hub face. This distance is **variable** and must be determined per individual specifications.
- E-1 Centerline of side outlet to bottom flange face
- E-2 Centerline of side outlet to bottom hub face
- F-1 Top of ram to top flange face
- F-2 Top of ram to top hub face
- G Height of ram

#### English Units (inches)

A-1	A-2	A-3	A-4	B-1	B-2	C	D	E-1	E-2	F-1	F-2	G	Approx. Weight (lbs)
112.125	171.500	122.688	166.062	33.812	31.938	29.250	_	11.562	10.625	12.781	11.844	7.500	7,700.000

#### Metric Units (m)

Metric Units (m)						Metric Units (mm)						Metric Units (kg)	
A-1	A-2	A-3	A-4	B-1	B-2	C	D	E-1	E-2	F-1	F-2	G	Approx. Weight (kg)
2.848	4.356	3.116	4.218	0.859	0.811	742.950	_	293.675	269.875	324.637	300.838	190.500	3,492.661