



PATTERSON SERVICES, INC.

Tubing
1" thru 4 1/2"

Drill Pipe
2 3/8" thru 5 1/2"

Heavy Weight Drill Pipe
2 7/8" thru
6 5/8"

Drill Collars
2 7/8" thru 10"

Blow-Out Preventers
Annular Type
2 9/16" 5M thru
29 1/2" 500 PSI

Hydraulic Ram Type
Single and Double
3 1/16" 10M thru
21 3/4" 5M

Valves Manual & Hydraulic
12" Ball Valves
2 1/16" 5M thru
4 1/16" 15M

BOP Information Sheet*

Hydril GK Annular BOP Studded Top/Bottom 13-5/8"10K

1	BOP Serial #	P-
2	Type	GK 13-5/8" 10K Studded Top and Bottom Annular BOP
3	Manufacturer	Hydril
4	Height	60.625" / 1.540 m
5	Weight (Approximate -- varies with connectors)	32,850 lbs. / 14,900.509 kilograms
6	Clearance Diameter	68.125" / 1.730 m
7	Hydraulic operating pressure	≤ 1,500 PSI / 103.422 bar
8	Max hydraulic pressure	1,500 PSI / 103.422 bar
9	Open port and Close port size	1" NPT
10	Open volume	26.50 U.S. Gallons / 100.313 Liters
11	Close volume	37.18 U.S. Gallons / 140.742 Liters
12	13-5/8"10K Studded Top Bolts Diameter x Length	1- 7/8" x 11" / 47.625 mm x 279.400 mm
13	Quantity	20 per studded flange
14	Bolt Torque	3,332 ft-lbs / 4,517.526 N'm
15	13-5/8" 10K Studded Bottom Bolts Diameter x Length	1-7/8" x 11" / 47.625 mm x 279.400 mm
16	Quantity	20 per studded flange
17	Bolt Torque	3,332 ft-lbs / 4,517.526 N'm
18	Flange Gasket (Open-faced Bottom Flange)	N/A
19	Studded Flange Gasket	BX 159
20	Lifting Capacity B.O.P. Lugs	

* Drawings and information contained herein are for general purposes and are for reference only. Dimensions may vary according to Manufacturer, Year Manufactured, Model or Type.

Technical information contained herein is furnished without charge or obligation and is given and accepted at recipient's sole risk. Because conditions of use may vary and are beyond our control, Patterson Services, Inc. makes no representation about, and is not responsible or liable for the accuracy or reliability of the data, described herein. Nothing contained in this document shall be considered a recommendation for any use that may infringe patent rights, or an endorsement of any particular material, equipment, service, or other item. The properties listed in this document are not specification. They are provided as information only and in no way modify, amend, enlarge or create any specification or warranty.





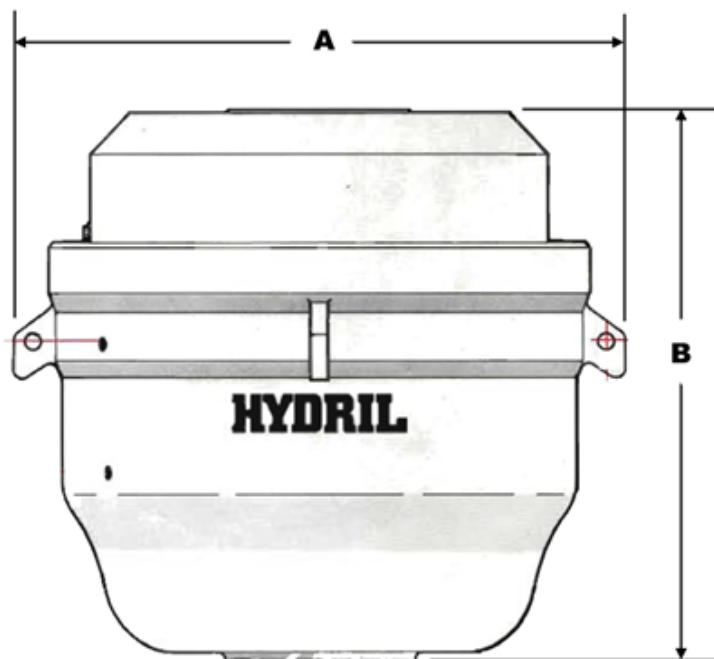
PATTERSON SERVICES, INC.

SPECIFICATIONS

DIMENSIONAL DATA		Hydril GK Annular BOP Studded Top/Bottom 13-5/8" 10K	
Size	Pressure rating (PSI)	Vertical Bore (inches)	Single Approx.* Weight (lbs)
13.625*	10,000	13.625*	32,850.00

*Approximate: Varies with connectors.

The capital letters in the following designations refer to the BOP dimensional views and dimensional charts shown.



English Units (inches)		English Units (lbs)
A (Clearance Diameter)	B (height)	
68.125	60.625	32,850.000
Metric Units (m)		Metric Units (kgs)
A (Clearance Diameter)	B (height)	
1.730	1.540	14,900.509

Tubing

1" thru 4 1/2"

Drill Pipe

2 3/8" thru 5 1/2"

Heavy Weight Drill Pipe

2 7/8" thru 6 5/8"

Drill Collars

2 7/8" thru 10"

Blow-Out Preventers

Annular Type

2 9/16" 5M thru 29 1/2" 500 PSI

Hydraulic Ram Type

Single and Double

3 1/16" 10M thru 21 3/4" 5M

Valves Manual & Hydraulic

12" Ball Valves

2 1/16" 5M thru 4 1/16" 15M