



PATTERSON SERVICES, INC.

Tubing
1" thru 4 1/2"

Drill Pipe
2 3/8" thru 5 1/2"

Heavy Weight Drill Pipe
2 7/8" thru
6 5/8"

Drill Collars
2 7/8" thru 10"

Blow-Out Preventers
Annular Type
2 9/16" 5M thru
29 1/2" 500 PSI

Hydraulic Ram Type
Single and Double
3 1/16" 10M thru
21 3/4" 5M

Valves Manual & Hydraulic
12" Ball Valves
2 1/16" 5M thru
4 1/16" 15M

BOP Information Sheet*

T3 Annular BOP w/ 15K Bottom Wedge Cover 13-5/8" 10K

1	BOP Serial #	P-
2	Type	Model 7072 13-5/8" 10K w/ 15K Bottom Annular BOP
3	Manufacturer	T3 Wedge Cover
4	Height	62.49" / 1.587 m
5	Weight (Approximate -- varies with connectors)	33,275 lbs. / 15,093 kilograms
6	Clearance Diameter	64.50" / 1.638m
7	Hydraulic operating pressure	≤ 1,500 PSI / 103.422 bar
8	Max hydraulic pressure	1,500 PSI / 103.422 bar
9	(2) Open ports and (2) Close ports size	2" NPT
10	Open volume	32.6 U.S. Gallons / 123.404 Liters
11	Close volume	40.2 U.S. Gallons / 152.174 Liters
12	13-5/8"10K Studded Top Bolts Diameter x Length	1- 7/8" x 11" / 47.625 mm x 279.400 mm
13	Quantity	20 per studded flange
14	Bolt Torque	3,332 ft-lbs / 4,517.526 N'm
15	13-5/8" 15K Flanged Bottom Bolts Diameter x Length	2-1/4" x 21-1/4" / 57.150 mm x 539.750 mm
16	Quantity	20 per flange
17	Bolt Torque	5,822 ft-lbs / 7,893.468 N'm
18	Flange Gasket (Open-faced Bottom Flange)	BX 159
19	Studded Flange Gasket	BX 159
20	Lifting Capacity B.O.P. Lugs	

* Drawings and information contained herein are for general purposes and are for reference only. Dimensions may vary according to Manufacturer, Year Manufactured, Model or Type.

Technical information contained herein is furnished without charge or obligation and is given and accepted at recipient's sole risk. Because conditions of use may vary and are beyond our control, Patterson Services, Inc. makes no representation about, and is not responsible or liable for the accuracy or reliability of the data, described herein. Nothing contained in this document shall be considered a recommendation for any use that may infringe patent rights, or an endorsement of any particular material, equipment, service, or other item. The properties listed in this document are not specification. They are provided as information only and in no way modify, amend, enlarge or create any specification or warranty.





PATTERSON SERVICES, INC.

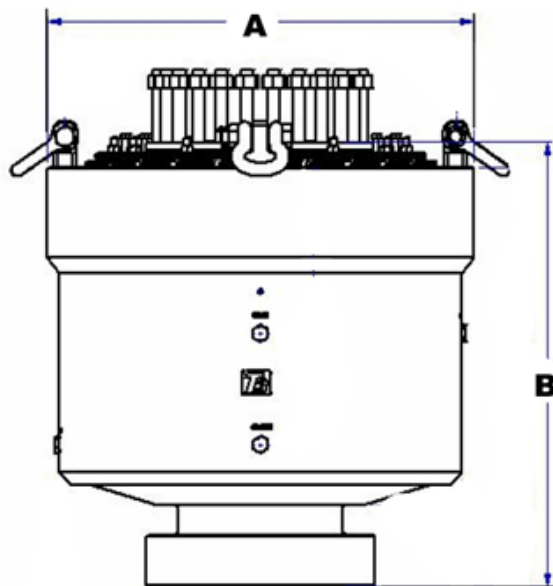
SPECIFICATIONS

DIMENSIONAL DATA T3 Annular BOP w/ 15K Bottom Wedge Cover 13-5/8" 10K

Size	Pressure rating (PSI)	Vertical Bore (inches)	Single Approx.* Weight (lbs)
13.625"	10,000	13.625"	33,275.00

*Approximate: Varies with connectors.

The capital letters in the following designations refer to the BOP dimensional views and dimensional charts shown.



English Units (inches)		English Units (lbs)
A (Clearance Diameter)	B (height)	
64.500	62.490	33,275.000
Metric Units (m)		Metric Units (kgs)
A (Clearance Diameter)	B (height)	
1.638	1.587	15,093.000

Tubing

1" thru 4 1/2"

Drill Pipe

2 3/8" thru 5 1/2"

Heavy Weight Drill Pipe

2 7/8" thru 6 5/8"

Drill Collars

2 7/8" thru 10"

Blow-Out Preventers

Annular Type

2 9/16" 5M thru 29 1/2" 500 PSI

Hydraulic Ram Type

Single and Double

3 1/16" 10M thru 21 3/4" 5M

Valves Manual & Hydraulic

12" Ball Valves

2 1/16" 5M thru 4 1/16" 15M