



PATTERSON SERVICES, INC.

- Tubing**
1" thru 4 1/2"
- Drill Pipe**
2 3/8" thru 5 1/2"
- Heavy Weight Drill Pipe**
2 7/8" thru 6 5/8"
- Drill Collars**
2 7/8" thru 10"
- Blow-Out Preventers**
Annular Type
2 9/16" 5M thru 29 1/2" 500 PSI
- Hydraulic Ram Type**
Single and Double
3 1/16" 10M thru 21 3/4" 5M
- Valves Manual & Hydraulic**
12" Ball Valves
2 1/16" 5M thru 4 1/16" 15M

BOP Information Sheet*

Hydril MSP DIVERter BOP 29-1/2" 500 PSI

1	BOP Serial #	
2	Type	29-1/2" 500 PSI MSP DIVERter BOP
3	Manufacturer	Hydril
4	Height (Old Configuration)	67.810" / 1.723 m
5	Height (New Configuration)	67.840" / 1.722 m
6	Weight (Approximate -- varies with connectors)	24,500 lbs. / 11113.013 kilograms
7	Clearance Diameter (Old and New Configuration)	82.5" / 2.096 m
8	Hydraulic operating pressure	≤ 1,500 PSI / 103.422 bar
9	Max hydraulic pressure	1,500 PSI / 103.422 bar
10	(2) Close ports size	1-1/4" NPT
11	Open volume	NA
12	Close volume	60 U.S. Gallons / 227.125 Liters
13	29-1/2" 500 PSI MSP Studded Top Bolts Diameter x Length	1-3/4" x 13-1/2" / 44.450 mm x 342.900 mm
14	Quantity	28 per studded flange
15	Bolt Torque	2,696 ft-lbs / 3,655.237 N'm
16	29-1/2" 500 PSI MSP Flanged Bottom Bolts Diameter x Length	1-3/4" x 9-1/8" / 44.450 mm x 231.775 mm
17	Quantity	28 per flange
18	Bolt Torque	2,696 ft-lbs / 3,655.237 N'm
19	Flange Gasket (Open-faced Bottom Flange)	R-95/RX-95
20	Studded Flange Gasket	R-95/RX-95

* Drawings and information contained herein are for general purposes and are for reference only. Dimensions may vary according to Manufacturer, Year Manufactured, Model or Type.

Technical information contained herein is furnished without charge or obligation and is given and accepted at recipient's sole risk. Because conditions of use may vary and are beyond our control, Patterson Services, Inc. makes no representation about, and is not responsible or liable for the accuracy or reliability of the data, described herein. Nothing contained in this document shall be considered a recommendation for any use that may infringe patent rights, or an endorsement of any particular material, equipment, service, or other item. The properties listed in this document are not specification. They are provided as information only and in no way modify, amend, enlarge or create any specification or warranty.





PATTERSON SERVICES, INC.

SPECIFICATIONS

DIMENSIONAL DATA

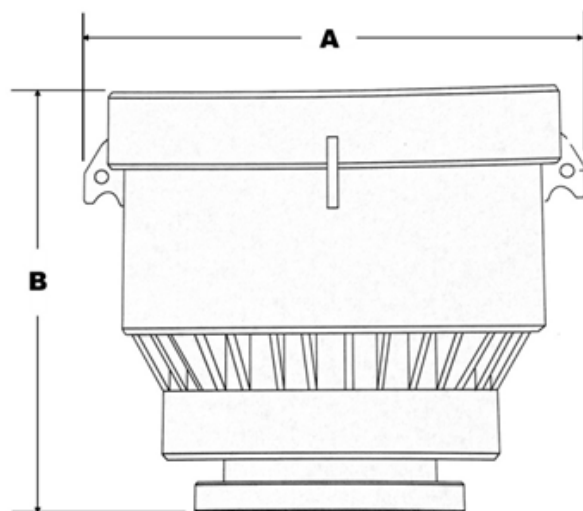
Hydril MSP DIVERter BOP 29-1/2" 500 PSI

Size	Pressure rating (PSI)	Vertical Bore (inches)	Single Approx.* Weight (lbs)	Serial #
29.5"	500	29.5"	24,500.00	

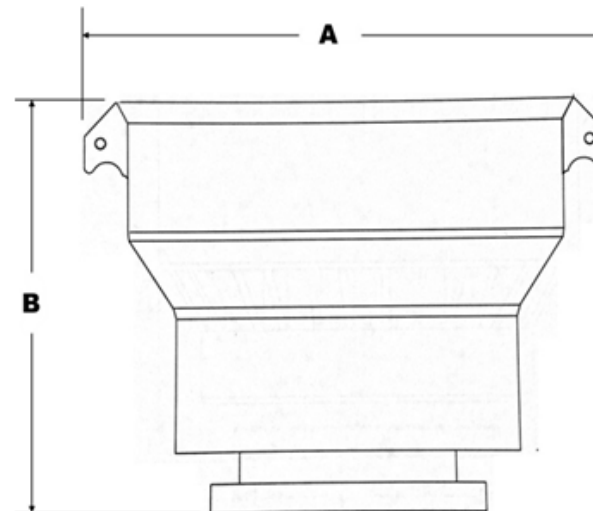
*Approximate: Varies with connectors.

The capital letters in the following designations refer to the BOP dimensional views and dimensional charts shown.

Old Configuration



New Configuration



English Units (inches)		English Units (lbs)
A (Clearance Diameter)	B (height)	
82.500	67.810	24,500.000

Metric Units (m)		Metric Units (kgs)
A (Clearance Diameter)	B (height)	
2.096	1.722	11,113.013

English Units (inches)		English Units (lbs)
A (Clearance Diameter)	B (height)	
82.500	67.840	24,500.000

Metric Units (m)		Metric Units (kgs)
A (Clearance Diameter)	B (height)	
2.096	1.723	11,113.013

Tubing

1" thru 4 1/2"

Drill Pipe

2 3/8" thru 5 1/2"

Heavy Weight Drill Pipe

2 7/8" thru 6 5/8"

Drill Collars

2 7/8" thru 10"

Blow-Out Preventers

Annular Type

2 9/16" 5M thru 29 1/2" 500 PSI

Hydraulic Ram Type

Single and Double

3 1/16" 10M thru 21 3/4" 5M

Valves Manual & Hydraulic

12" Ball Valves

2 1/16" 5M thru 4 1/16" 15M