



PATTERSON SERVICES, INC.

- Tubing**
1" thru 4 1/2"
- Drill Pipe**
2 3/8" thru 5 1/2"
- Heavy Weight Drill Pipe**
2 7/8" thru 6 5/8"
- Drill Collars**
2 7/8" thru 10"
- Blow-Out Preventers**
Annular Type
2 9/16" 5M thru 29 1/2" 500 PSI
- Hydraulic Ram Type**
Single and Double
3 1/16" 10M thru 21 3/4" 5M
- Valves Manual & Hydraulic**
12" Ball Valves
2 1/16" 5M thru 4 1/16" 15M

BOP Information Sheet*

Hydril GKS Annular BOP 4-1/16" 10K

1	BOP Serial #	P-
2	Type	4-1/16" 10K GKS Annular BOP
3	Manufacturer	Hydril
4	Height	25.250" / 641.350 mm (.641 m)
5	Weight (Approximate -- varies with connectors)	2,650 lbs. / 1,202.020 kilograms
6	Clearance Diameter	35.167" / 893.242 mm (.893 m)
7	Hydraulic operating pressure	≤ 1,500 PSI / 103.422 bar
8	Max hydraulic pressure	1,500 PSI / 103.422 bar
9	Close port size	1/2" NPT
10	Open volume	1.780 U.S. Gallons / 6.738 Liters
11	Close volume	NA
12	4-1/16"10K Studded Top Bolts Diameter x Length	1- 1/8" x 5-3/4" / 28.575 mm x 146.050 mm
13	Quantity	8 per studded flange
14	Bolt Torque	686 ft-lbs / 930.079 N'm
15	4-1/16" 10K Flanged Bottom Bolts Diameter x Length	1-1/8" x 8-1/2" / 28.575 mm x 215.900 mm
16	Quantity	8 per flange
17	Bolt Torque	686 ft-lbs / 930.079 N'm
18	Flange Gasket (Open-faced Bottom Flange)	BX 155
19	Studded Flange Gasket	BX 155
20	Lifting Capacity B.O.P. Lugs	

* Drawings and information contained herein are for general purposes and are for reference only. Dimensions may vary according to Manufacturer, Year Manufactured, Model or Type.

Technical information contained herein is furnished without charge or obligation and is given and accepted at recipient's sole risk. Because conditions of use may vary and are beyond our control, Patterson Services, Inc. makes no representation about, and is not responsible or liable for the accuracy or reliability of the data, described herein. Nothing contained in this document shall be considered a recommendation for any use that may infringe patent rights, or an endorsement of any particular material, equipment, service, or other item. The properties listed in this document are not specification. They are provided as information only and in no way modify, amend, enlarge or create any specification or warranty.





PATTERSON SERVICES, INC.

SPECIFICATIONS

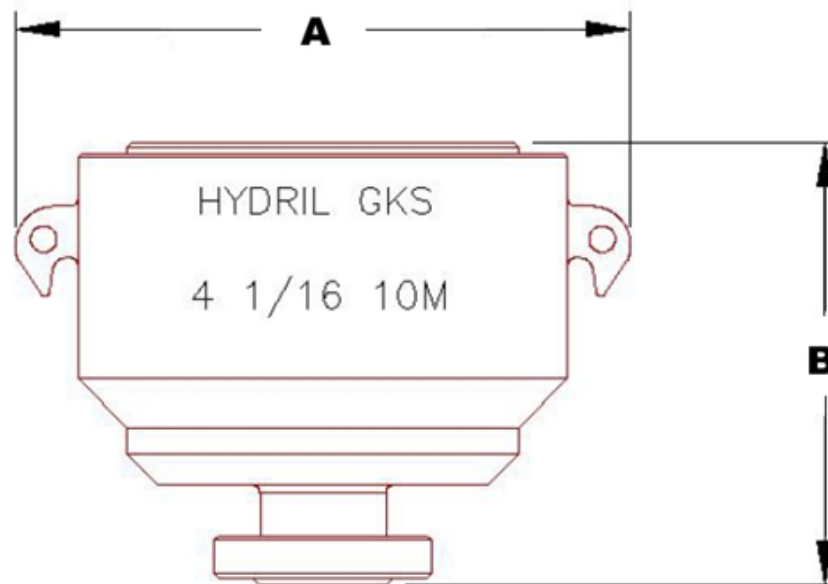
DIMENSIONAL DATA

Hydril GKS Annular BOP 4-1/16" 10K

Size	Pressure rating (PSI)	Vertical Bore (inches)	Single Approx.* Weight (lbs)
4.0625"	10,000	4.0625"	2,650.00

*Approximate: Varies with connectors.

The capital letters in the following designations refer to the BOP dimensional views and dimensional charts shown.



English Units (inches)

A (Clearance Diameter)	B (height)	English Units (lbs)
35.167	25.250	2,650.000

Metric Units (m)

A (Clearance Diameter)	B (height)	Metric Units (kgs)
0.893	0.641	1,202.020

Tubing

1" thru 4 1/2"

Drill Pipe

2 3/8" thru 5 1/2"

Heavy Weight Drill Pipe

2 7/8" thru 6 5/8"

Drill Collars

2 7/8" thru 10"

Blow-Out Preventers

Annular Type

2 9/16" 5M thru 29 1/2" 500 PSI

Hydraulic Ram Type

Single and Double

3 1/16" 10M thru 21 3/4" 5M

Valves Manual & Hydraulic

12" Ball Valves

2 1/16" 5M thru 4 1/16" 15M